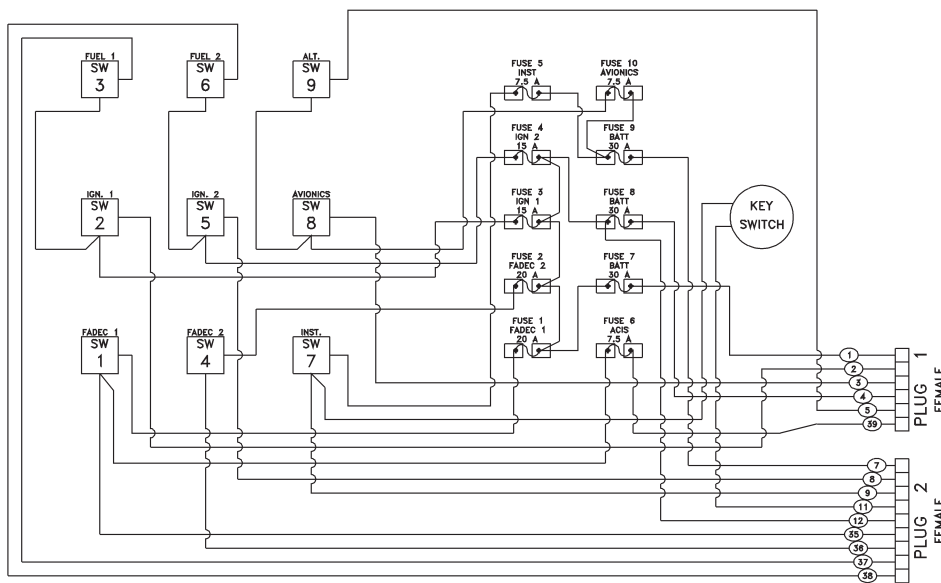
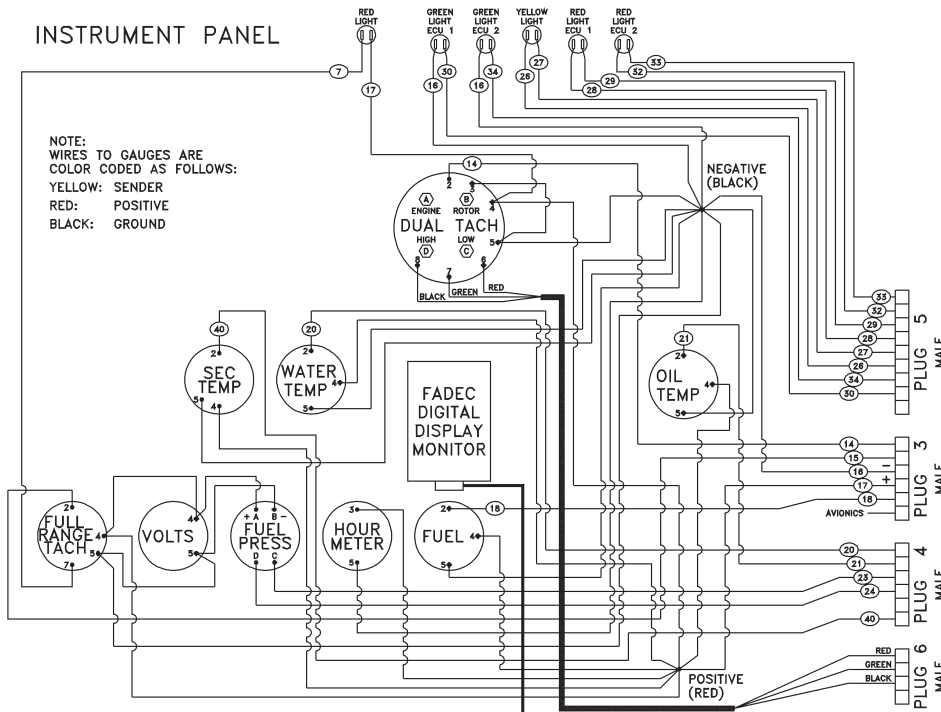


OVERHEAD SWITCH PANEL



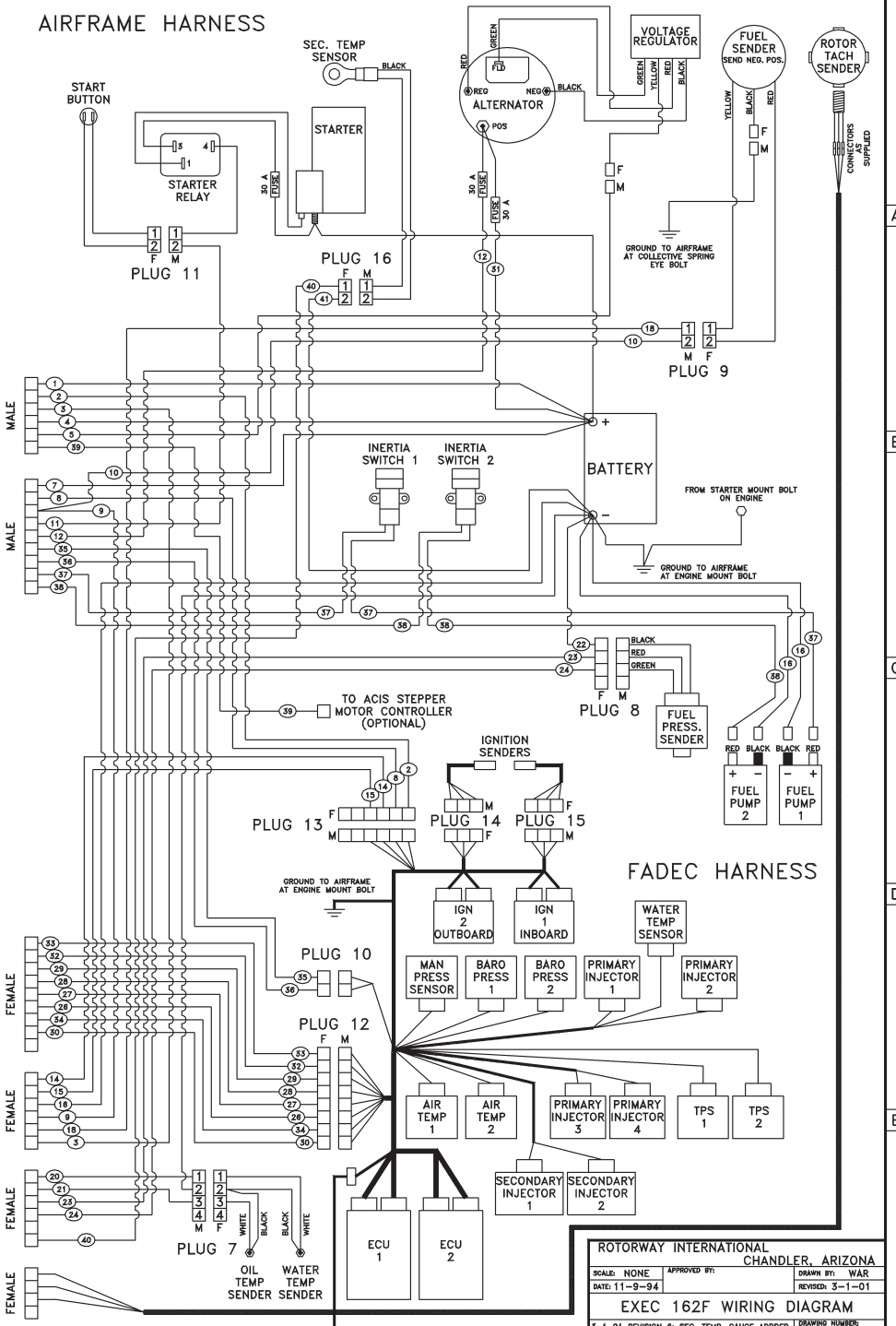
NOTE: FOR DRAWING CLARITY, WIRE POSITIONS ON 9 PIN CONNECTORS SHOWN HERE ARE NOT THE SAME AS ON ACTUAL PLUGS.

INSTRUMENT PANEL



NOTE:
WIRES TO GAUGES ARE
COLOR CODED AS FOLLOWS:
YELLOW: SENDER
RED: POSITIVE
BLACK: GROUND

AIRFRAME HARNESS



ROTORWAY INTERNATIONAL
CHANDLER, ARIZONA
SCALE: NONE APPROVED BY: DRAWN BY: WAR
DATE: 11-9-94 REVISION: 3-1-01
EXEC 162F WIRING DIAGRAM
3-1-01 REVISION 6: SEC. TEMP. GAUGE ADDED DRAWING NUMBER:
2-2-00 REVISION 5: FUEL PRESS. SENDER WIRES E35-2001-6